

## **NOTICE:**

**Prices and availability are subject to change without notice.**

**Please contact Marlin Manufacturing before ordering for updated pricing.**

**PLASTIC INDUSTRY  
THERMOCOUPLES**

***Fast Delivery on:***

**Adjustable  
Plastic  
Industry  
Thermocouples**

Since 1952

**Marlin**

**MANUFACTURING CORPORATION**

12404 TRISKETT ROAD CLEVELAND, OHIO 44111

216 941-6200

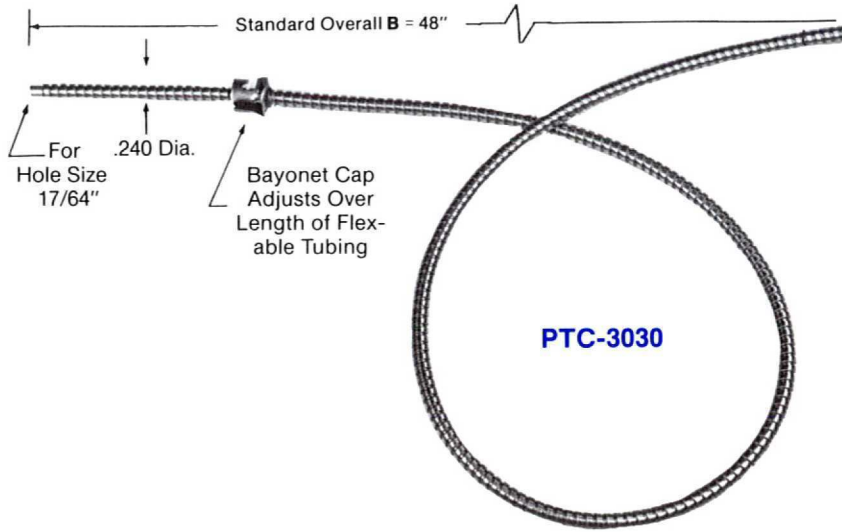
FAX 216 941-6207

TEMPERATURE INSTRUMENTATION for Research and Industry



# SENSORS PLASTIC INDUSTRY THERMOCOUPLES

## Flex - Armored Adjustable Bayonet Thermocouple



TERMINAL TYPE	
	<b>BX3</b> BX Connector
	<b>P15</b> Standard TC Plug
	<b>F15</b> Standard TC Jack

### STANDARD FEATURES

- Adjustable immersion
- Compression tension of Flex-Armor SS Tubing loads T/C Tip
- Type J thermocouple standard
- Grounded junction, Marlin's sensitive tip
- Single element 20 ga. stranded wire fiberglass insulated
- Dual element 24 ga. stranded wire fiberglass insulated
- Fits bayonet-type adapters
- Stainless steel cap
- For temperatures to 900°F (482°C)
- Other thermocouple types available i.e. K, T, E - use proper code and add 10% to price

CATALOG NUMBER	TERMINAL TYPE	BASE PRICE \$ "B" TO 48 IN.	ADDITIONAL \$ "B" LENGTH	DISCOUNT SCHEDULE
PTC-3030	Single Element			
	BX3	\$17.00	\$1.75	C
	P15	21.00	per 12 in.	
F15	22.00			
PTC-3030-D	Dual Element			
	BX3	\$27.00	\$2.50	C
	P12	35.00	per 12 in.	
F12	37.00			

To Order Give:

**PTC-3030** - **J** - - -  
 Catalog No.      ANSI Type      Terminal Type      "B" Length

DISCOUNT SCHEDULE "C"	
QUANTITY	DISCOUNT FACTOR
1-4	Net
5-9	.95
10-49	.90
50-99	.85
100+	.80



MANUFACTURING CORPORATION 12404 TRISKETT ROAD CLEVELAND, OHIO 44111

(216) 941-6200

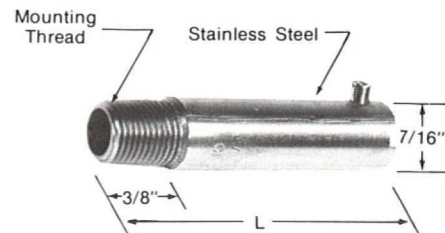
FAX: (216) 941-6207

# SENSORS PLASTIC INDUSTRY THERMOCOUPLES

ADAPTER CATALOG NUMBER	"T" THREAD	"L" INCHES	PRICE \$ EACH	DISCOUNT SCHEDULE
PBA1	1/8 NPT	7/8	\$1.75	C
		1-3/8	3.00	
		1-1/2	3.50	
PBA3	3/8 - 24	1-7/8	3.50	
		2	3.50	
		2-1/2	5.00	
		3	5.00	
		Specials (to 6")	8.00	
		Specials (to 12")	12.00	

To Order Give: **PBA1** or **PBA3** - \_\_\_\_\_ IN. -  
"L"

## Threaded Bayonet Adapter



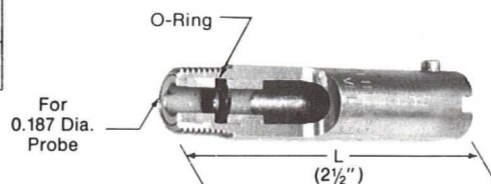
Similar to PBA series but with internal O-ring that seats against TC to prevent oil seepage.

Standard "L" length = 2 1/2"  
Available in 1/8 NPT only.

PRICE \$ EACH	DISCOUNT SCHEDULE
\$7.50	C

To Order Give: **PBAO- 2 1/2"**

## Oil Seal Bayonet Adapter



"D" hole depth determines the required "A" dimension and threaded bayonet adapter length "L".

$A = D + L$   
round "A" up to next 1/2 in. if in between increments.

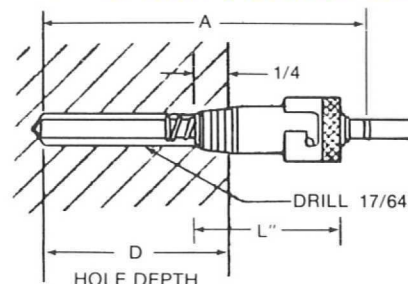
i.e.: for D = 1" And L = 2

$$A = D + L = 3"$$

i.e.: for D = 1" And L = 1-7/8

$$A = D + L = 2-7/8" \text{ round to } 3"$$

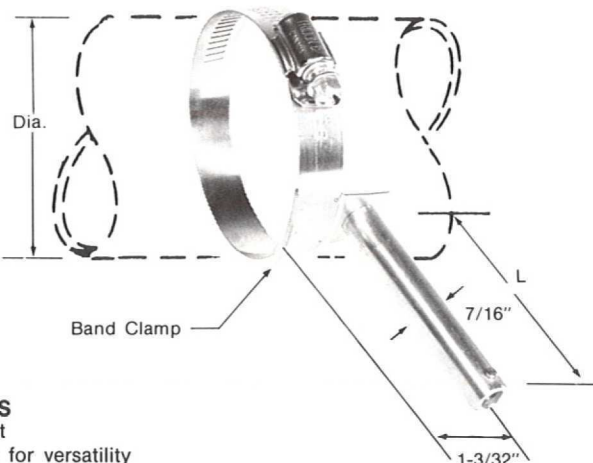
## Dimension Selection Guide



## Offset Pipe Clamp Bayonet Adapter

ADAPTER CATALOG NUMBER	"L" INCHES	PRICE \$ includes Clamp
PBAC	1-3/4	\$7.50
	2-1/4	7.50
	2-3/4	7.50
	3-1/4	8.00
	3-3/4	8.00
	4-1/4	8.00
	4-3/4	8.50
	6-3/4	8.50
	8-3/4	8.50

BAND CLAMP NO.	DIAMETER (Inches)		STANDARD PIPE SIZE
	MIN.	MAX.	
1	7/16	25/32	1/4 to 3/8
2	11/16	1-1/4	1/2 to 3/4
3	1-1/16	2	1 to 1-1/2
4	2-1/16	3	2 to 2-1/2
5	3-5/16	4-1/4	3 to 3-1/2
6	3-9/16	4-1/2	4
7	5-1/8	6	5
8	6-1/8	7	6



\*Discount Schedule "C" Applies

To Order Give: **PBAC -** \_\_\_\_\_ IN. -  
"L" Band Clamp No.

Maximum insulation thickness =  $L - 3/4"$

"A" (dimension of bayonet TC) =  $L + 3/4"$

### STANDARD FEATURES

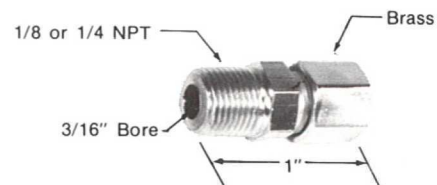
- Offset mounting bracket
- Two piece construction for versatility
- Stainless steel adapter and clamp

## Compression type mounting fitting

COMPRESSION FITTING CAT. #	NPT SIZE	PRICE EACH	DISCOUNT SCHEDULE
A18B 187	1/8 NPT	\$3.00	C
A14B 187	1/4 NPT	3.50	

To Order Give: **A18B-187**

Bore Size →



(216) 941-6200

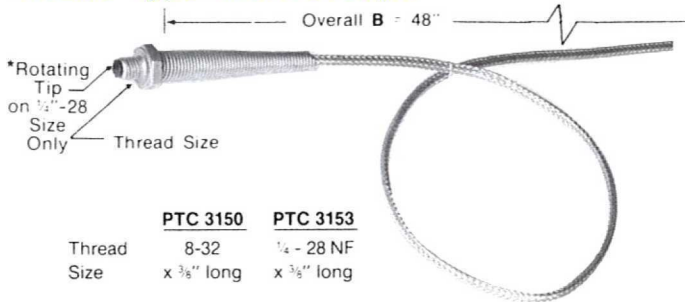


MANUFACTURING CORPORATION 12404 TRISKETT ROAD CLEVELAND, OHIO 44111 FAX: (216) 941-6207



# SENSORS PLASTIC INDUSTRY THERMOCOUPLES

## Nozzle Type Thermocouple



	PTC 3150	PTC 3153
Thread	8-32	1/4 - 28 NF
Size	x 3/8" long	x 3/8" long

### STANDARD FEATURES

- \*Rotating, quick, response, brass tip: PTC 3153 only
- Type J thermocouple grounded junction standard
- Single element 20 ga. stranded thermocouple wire fiberglass insulated with SS overbraid
- Stainless steel construction

TERMINAL TYPE	
B	BX3 1/2" / BX Connector
B	P15 Standard TC Plug
B	F15 Standard TC Jack

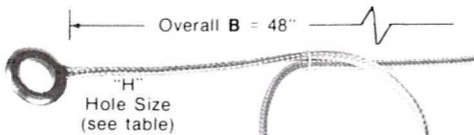
CATALOG NUMBER	"T" THREAD	TERMINAL TYPE	BASE* PRICE \$ "B" PRICE 48 IN.	ADDITIONAL "B" LENGTH
PTC-3150	8-32	BX3	\$14.50	\$1.25 per 12 in.
		P15	19.00	
		F15	20.00	
PTC-3153	1/4-28NF	BX3 P15 F15	14.50 19.00 20.00	\$1.25 per 12 in.

\*Discount Schedule "C" Applies

Catalog No.	ANSI Type	Terminal Type	"B" Length
-	-	-	-B =

- For temperatures to 900° F (482° C)
- Standard "B" length of 48 in.
- Other thermocouple types available i.e. K, T, E — use proper code and add 10% to price

## Washer Type Thermocouple



PTC-3160

### STANDARD FEATURES

- Nickel plated brass washer (14 & 18 mm plated copper)
- SS overbraid strain relief
- Type J single element thermocouple grounded junction standard
- Stranded thermocouple wire with stainless steel overbraid
- For temperatures to 900° F (482° C)
- Standard "B" length of 48 in.
- Other thermocouple types available i.e. K, T, E — use proper code and add 10% to price

TERMINAL TYPE	
B	BX3 2-1 2" / BX Connector
B	P15 Standard TC Plug
B	F15 Standard TC Jack

CATALOG NUMBER	TERMINAL TYPE	*BASE PRICE \$ "B" TO 48 IN. H TO 1/2 IN.	BASE PRICE \$ "B" TO 48 IN. H-14mm or 18mm	ADDITIONAL \$ "B" LENGTH
PTC-3160	BX3	\$12.00	\$21.50	\$1.25 per 12 in.
	P15	16.00	26.00	
	F15	17.00	27.00	

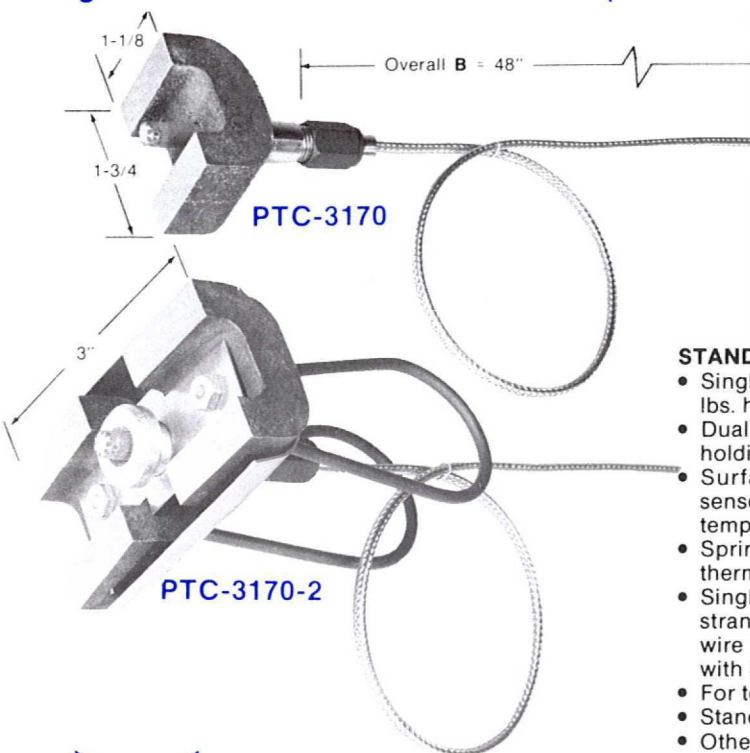
\*Discount Schedule "C" Applies

"H" HOLE SIZE	3/16 Bolt (also fits #8 & #10)	1/4 Bolt	3/8 Bolt	1/2 Bolt	14 mm Bolt	18 mm Bolt
Actual ID	0.193	0.255	0.380	0.510	0.560	0.730
Actual OD	0.425	0.545	0.815	1.060	0.810	1.060
Thickness "T"	.095-.120	.095-.120	.095-.12	0.095-.120	.156	.156
Wire Gauge	20	20	20	20	20	20

To Order Give: **PTC-3160** - - **H** = **B** =

Catalog No.	ANSI Type	Terminal Type	Hole Size	"B" Length
-	-	-	-	-

## Magnetic Mounted Surface Thermocouple



TERMINAL TYPE	
B	BX3 2-1 2" / BX Connector
B	P15 Standard TC Plug
B	F15 Standard TC Jack

### STANDARD FEATURES

- Single magnet with 20 lbs. holding force
- Dual magnet has 40 lbs. holding force
- Surface sensitive tip senses accurate surface temperatures
- Spring loaded Type J thermocouple standard
- Single element 20 ga. stranded thermocouple wire fiberglass insulated with SS overbraid
- For temperatures to 500° F (260° C)
- Standard "B" length of 48 in.
- Other thermocouple types available i.e. K, T, E — use proper code and add 10% to price

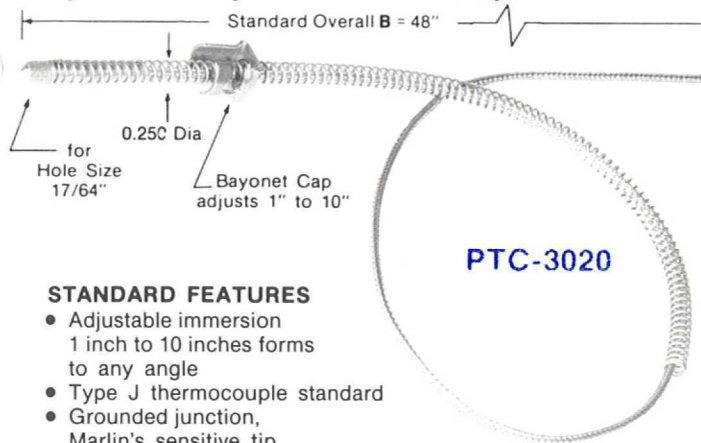
CATALOG NUMBER	TERMINAL TYPE	*BASE PRICE \$ "B" TO 48 IN.	ADDITIONAL \$ "B" LENGTH
(TC and Single Magnet) PTC-3170	BX3 P15 F15	\$66.00 71.00 72.00	\$1.25 per 12 in.
(TC and Dual Magnet) PTC-3170-2	BX3 P15 F15	\$112.00 117.00 118.00	\$1.25 per 12 in.
(TC Replacement) PTC-3171	BX3 P15 F15	\$23.00 28.00 29.00	\$1.25 per 12 in.
(Single Magnet Replacement) PTC-3172	-	\$43.00	-
(Dual Magnet Replacement) PTC-3172-2	-	\$89.00	-

\*Discount Schedule "C" Applies



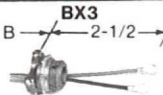
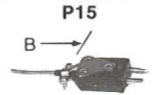

# SENSORS PLASTIC INDUSTRY THERMOCOUPLES

## Adjustable Bayonet Thermocouple



### STANDARD FEATURES

- Adjustable immersion 1 inch to 10 inches forms to any angle
- Type J thermocouple standard
- Grounded junction, Marlin's sensitive tip
- Single element 20 ga. stranded wire fiberglass insulated with stainless steel overbraid
- Dual element 24 ga. stranded wire fiberglass insulated with stainless steel overbraid
- Fits standard bayonet-type adapters

TERMINAL TYPE	
	BX Connector
	Standard TC Plug
	Standard TC Jack

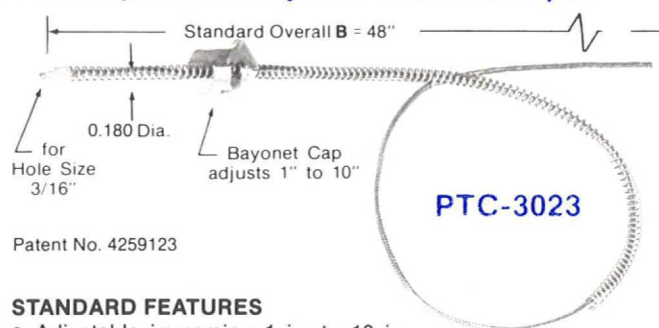
CODE NUMBER	TERMINAL TYPE	BASE PRICE \$ "B" TO 48 IN.	ADDITIONAL \$ "B" LENGTH
Single Element PTC-3020	BX3	\$13.50	\$1.25
	P15	17.50	per
	F15	18.75	12 in.
Dual Element PTC-3020-D	BX3	\$24.50	\$2.00
	P15	32.00	per
	F15	34.00	12 in.

To Order Give:

**PTC**      -   **J**      -      -      -  
 Catalog      ANSI      Terminal      "B"  
 No.      Type      Type      Length

- Stainless steel spring and cap
- For temperatures to 900° F (482° C)
- Other thermocouple types available i.e. K,T,E - use proper code and add 10% to price

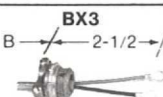
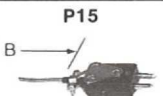
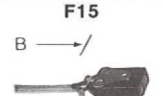
## Mini Adjustable Bayonet Thermocouple



Patent No. 4259123

### STANDARD FEATURES

- Adjustable immersion 1 in. to 10 in.
- Molded exposed junction tip for fast response
- Snakes into mold area for sensing "real" temperatures
- Single element, Type J, 24 ga. stranded thermocouple wire fiberglass insulated with stainless steel overbraid
- Fits standard bayonet-type adapters
- Stainless steel spring and cap
- For temperature to 600° F (316° C)

TERMINAL TYPE	
	BX Connector
	Standard TC Plug
	Standard TC Jack

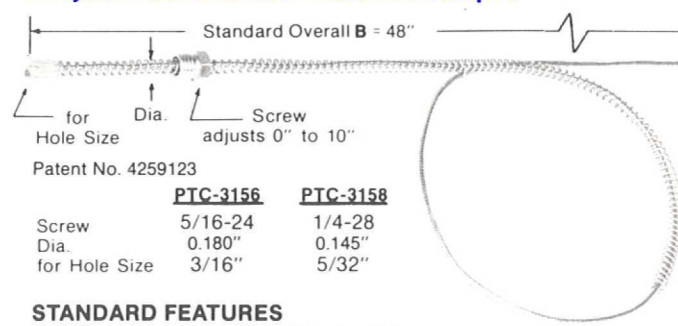
CODE NUMBER	TERMINAL TYPE	BASE PRICE \$ "B" TO 48 IN.	ADDITIONAL \$ "B" LENGTH
Single Element 180 Dia. PTC-3023	BX3	\$15.00	\$1.25
	P15	19.00	per
	F15	20.00	12 in.

To Order Give:

**PTC-3023**      -   **J**      -      -      -  
 Catalog      ANSI      Terminal      "B"  
 No.      Type      Type      Length

- Other thermocouple types available i.e. K,T,E - use proper code and add 10% to price

## Adjustable Nozzle Thermocouple



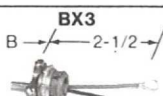
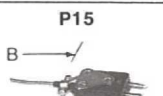
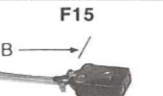
Patent No. 4259123

**PTC-3156**      **PTC-3158**

Screw	5/16-24	1/4-28
Dia.	0.180"	0.145"
for Hole Size	3/16"	5/32"

### STANDARD FEATURES

- Adjustable immersion 0 in. to 10 in.
- Molded exposed junction tip for fast response
- Snakes into mold area for sensing "real" temperatures
- Single element, Type J, 24 ga. stranded thermocouple wire fiberglass insulated with stainless steel overbraid
- Fits designated threaded hole 3/8" thread depth
- Stainless steel spring
- For temperature to 600° F (316° C)
- Other thermocouple types available i.e. K,T,E - use proper code and add 10% to price

TERMINAL TYPE	
	BX Connector
	Standard TC Plug
	Standard TC Jack

CODE NUMBER	TERMINAL TYPE	BASE PRICE \$ "B" TO 48 IN.	ADDITIONAL \$ "B" LENGTH
Single Element .180 Dia. 5/16 - 24 Brass Screw PTC-3156	BX3	\$15.00	\$1.25
	P15	19.00	per
	F15	20.00	12 in.
Single Element .145 Dia. 1/4 - 28 SS Screw PTC-3158	BX3	\$15.00	\$1.25
	P15	19.00	per
	F15	20.00	12 in.

To Order Give:

**PTC**      -   **J**      -      -      -  
 Catalog      ANSI      Terminal      "B"  
 No.      Type      Type      Length



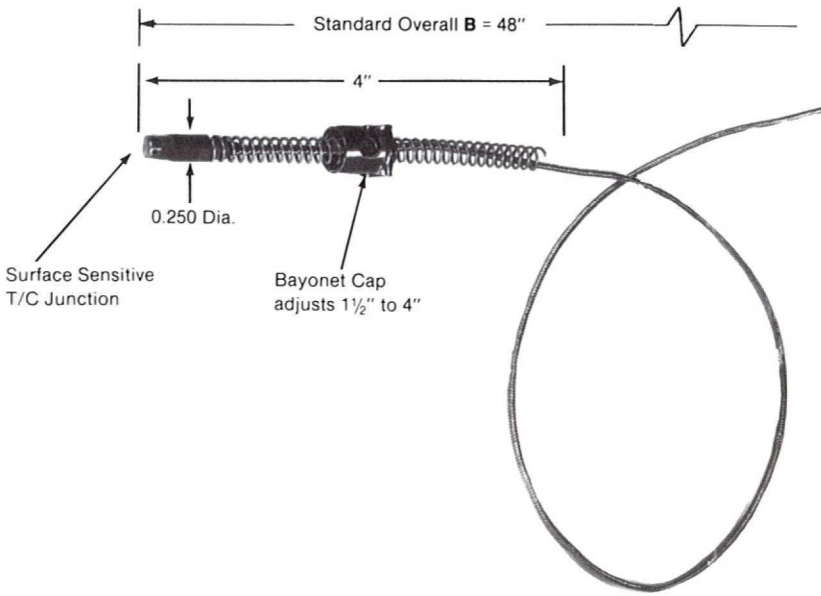
MANUFACTURING CORPORATION 12404 TRISKETT ROAD CLEVELAND, OHIO 44111

(216) 941-6200  
 FAX: (216) 941-6207



# SENSORS PLASTIC INDUSTRY THERMOCOUPLES

## Surface Temperature Measurement Thermocouple



TERMINAL TYPE	
<b>BX3</b>	2-1/2"
B	/
BX Connector	
<b>P15</b>	
B	/
Standard TC Plug	
<b>F15</b>	
B	/
Standard TC Jack	

This thermocouple gives accurate surface temperature measurement. Tests show that thermocouples that are not surface sensitive can give readings 20-30° F below actual temperature. Accessory bayonet adapter with a selection of bands is available for pipe application.

CODE NUMBER	TERMINAL TYPE	BASE PRICE \$ "B" TO 48 IN.	ADDITIONAL \$ "B" LENGTH
Single Element <b>PTC-3175</b>	BX3	\$25.00	\$1.25
	P15	29.00	per
	F15	30.00	12 in.

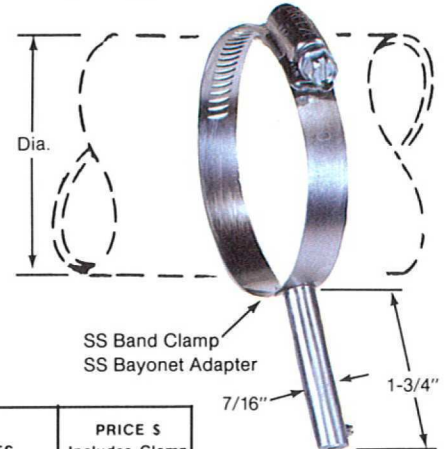
BAND CLAMP NO.	DIAMETER (Inches)		STANDARD PIPE SIZE
	MIN.	MAX.	
1	7/16	25/32	1/4 to 3/8
2	11/16	1-1/4	1/2 to 3/4
3	1-1/16	2	1 to 1-1/2
4	2-1/16	3	2 to 2-1/2
5	3-5/16	4-1/4	3 to 3-1/2
6	3-9/16	4-1/2	4
7	5-1/8	6	5
8	6-1/8	7	6

To Order Give: **PTC-3175** - **J** - - -  
 Catalog No.      ANSI Type      Terminal Type      "B" Length

### STANDARD FEATURES

- Type J thermocouple standard
- Grounded junction, Marlin surface sensitive tip
- Single element 20 ga. stranded wire fiberglass insulated with stainless steel overbraid
- Fits standard bayonet-type adapters
- Stainless steel spring and cap
- For temperatures to 500°F (260°C)
- Other thermocouple types available i.e. K, T, E - use proper code and add 20% to price

## Pipe Clamp Bayonet Adapter Unit



ADAPTER CODE NUMBER	"L" INCHES	PRICE \$ Includes Clamp
<b>PCS</b>	1-3/4	\$7.50

To Order Give: **PCS** \_\_\_\_\_  
 Band Clamp No.



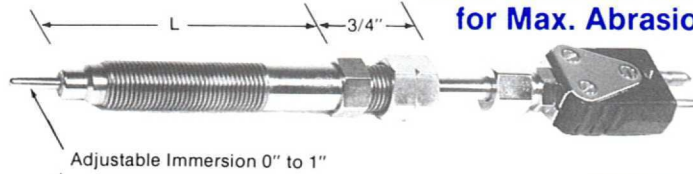
MANUFACTURING CORPORATION 12404 TRISKETT ROAD CLEVELAND, OHIO 44111 FAX: (216) 941-6207

(216) 941-6200

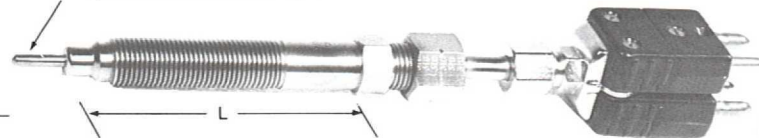
# SENSORS PLASTIC INDUSTRY THERMOCOUPLES — MELT

ADJUSTABLE MELT ASSEMBLY		
CATALOG NUMBER	"L" DIMENSION	*PRICE
Single element <b>PTC-3110</b>	3"	\$44.00
	4"	46.00
	5"	48.00
	6"	52.00
Dual Element <b>PTC-3110-D</b>	3"	64.00
	4"	66.00
	5"	68.00
	6"	72.00

**Adjustable Plastic Melt Thermocouple**  
Also Available with Hastalloy Tip  
for Max. Abrasion Resistance



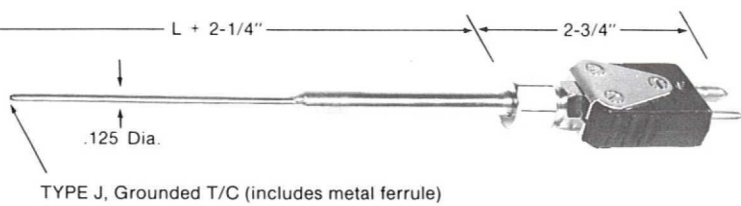
PTC-3110-J-( )



PTC-3110-D-J-( )

To Order Give: **PTC** - **J** -  
Catalog No. ANSI Type "L"

THERMOCOUPLE REPLACEMENT		
CATALOG NUMBER	FOR BARREL DIMENSION "L"	*PRICE
Single element <b>PTC-3111</b>	3"	\$20.00
	4"	20.00
	5"	20.00
	6"	20.00
Dual element <b>PTC-3111-D</b>	3"	40.00
	4"	40.00
	5"	40.00
	6"	40.00

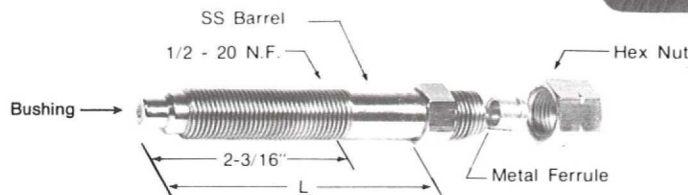


PTC-3111-J-( )



PTC-3111D-J-( )

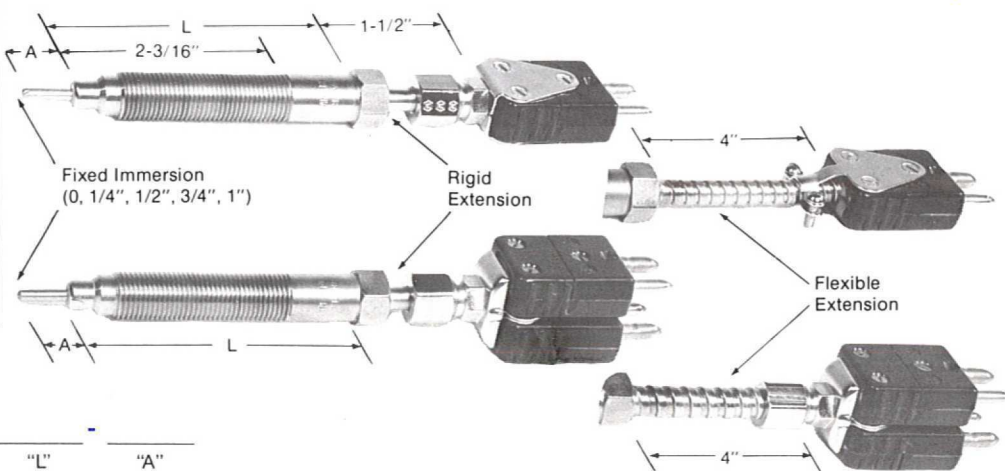
BARREL REPLACEMENT (Includes Metal Ferrule and Hex Nut)		
CATALOG NUMBER	"L" DIMENSION	*PRICE
<b>PTC-3112</b>	3"	\$25.00
	4"	27.00
	5"	29.00
	6"	33.00



PTC-3112-J-( )

FIXED IMMERSION MELT TC ASSEMBLY			
CATALOG NO.	"L"	"A"	*PRICE
Single element			
Rigid Extension <b>PTC-3070</b>	3"	Specify (0, 1/4", 1/2", 3/4", or 1")	\$46.00
Flexible Exten. <b>PTC-3090</b>	4"		48.00
	5"		50.00
	6"	52.00	
Dual element			
Rigid Extension <b>PTC-3070-D</b>	3"	Specify (0, 1/4", 1/2", 3/4", or 1")	66.00
Flexible Exten. <b>PTC-3090-D</b>	4"		68.00
	5"		70.00
	6"		72.00

**Fixed Immersion Plastic Melt Thermocouple**



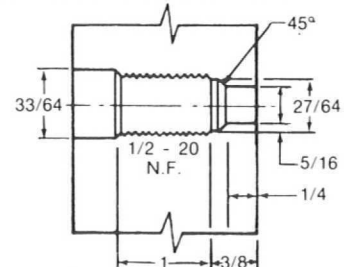
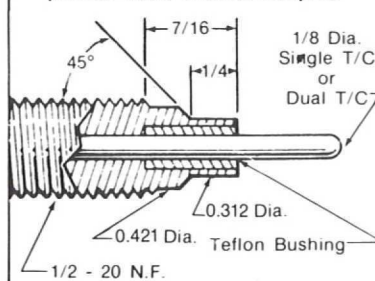
\*Discount Schedule "C" Applies

To Order Give: **PTC** - - - -  
Catalog No. ANSI Type "L" "A"

### STANDARD FEATURES & OPTIONS

- Stainless steel construction
- 1/8" Dia., Type J, grounded junction, Marlox Thermocouple standard
- Single or Dual Element Thermocouple
- Quick Connector Plug Termination
- Teflon Bushing Standard
- Ceramic Bushing available (add \$4.00 to List Price) Add suffix C to catalog no., i.e. PTC-3113C-J-3"
- Other Thermocouple Types available e.g. K, T, E use proper ANSI code and add 10% to list price.
- For additional flexible extension add \$1.25/ft.
- For additional Barrel Length "L" add \$3.00/inch
- For Hastalloy Tip use suffix HST and add \$10.00

### Construction detail for plastic melt thermocouples



**Recommended dimensions** in plastic molding machine barrel for correct mounting of plastic melt extruder type thermocouple.

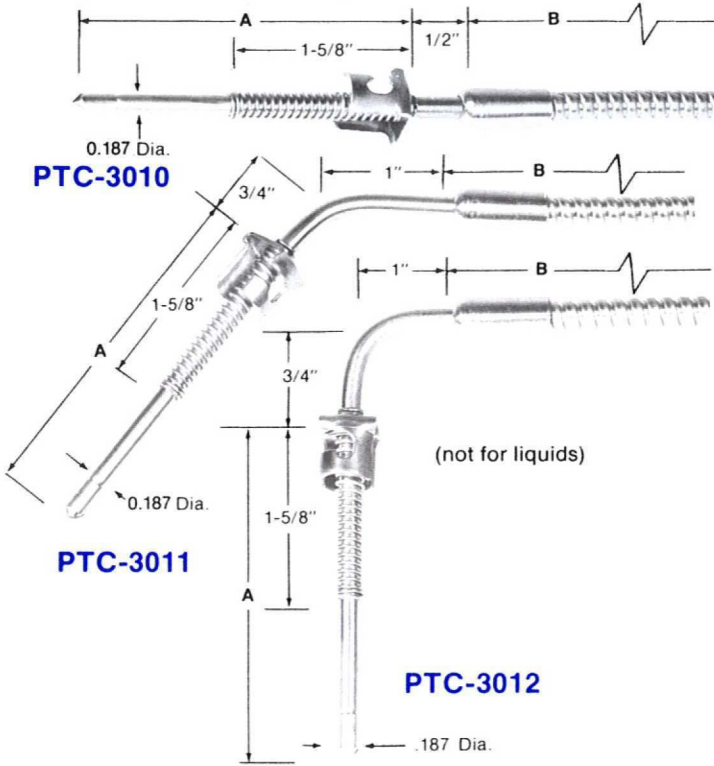


**MANUFACTURING CORPORATION 12404 TRISKETT ROAD CLEVELAND, OHIO 44111** (216) 941-6200  
FAX: (216) 941-6207



# SENSORS PLASTIC INDUSTRY THERMOCOUPLES

## Bayonet Thermocouples



Standard "A" Length = 3-1/2 in. (available to 8 in. in 1/2 in. increments)

Standard "B" Length = 48 in.

TERMINAL TYPE	
B	BX3 2-1/2" / BX Connector
B	P15 Full Size TC Plug
B	F15 Full Size TC Jack

CATALOG NUMBER	BASE PRICE*		A TO 8" B TO 48"	ADDITIONAL "B" LENGTH
	BX3	P15	F15	
(Single Element) PTC-3010 PTC-3011 PTC-3012	\$17.00	20.50	22.00	\$1.75 per 12 in.
(Dual Element) PTC-3010-D PTC-3011-D PTC-3012-D	\$23.50	36.50	38.50	\$2.50 per 12 in.

\*Discount Schedule "C" Applies

**NOTE:** For stainless steel overbraid construction in lieu of SS armor tubing add S to catalog number (i.e. PTC-3010S-P15-3"-48") and deduct \$1.00 from base price.

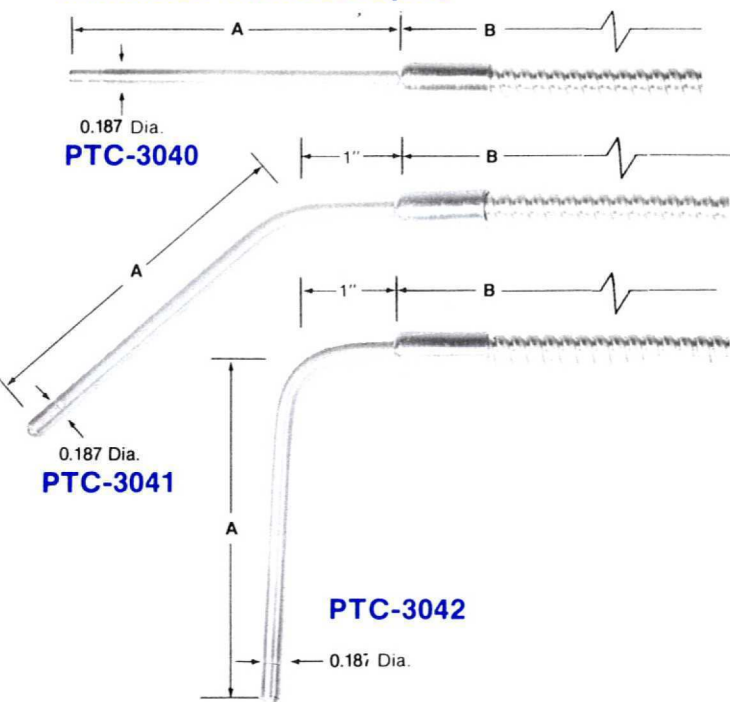
To Order Give:          - **J** -               **A =**      **B =**

Catalog No.	ANSI Type	Terminal Type
-------------	-----------	---------------

### STANDARD FEATURES

- Sensitive tip 0.187 Dia. (not for use in liquids)
- Type J thermocouple with grounded junction standard
- Single element: 20 ga. stranded thermocouple wire with fiberglass insulation and SS armor tubing
- Dual element: 24 ga. stranded thermocouple wire with fiberglass insulation and SS armor tubing
- SS overbraid also available (add S to catalog no.)
- Fits standard bayonet type adapters
- For temperatures to 900°F (482°C)
- Rigid "B" length available (specify rigid "B" add \$3.00 to base price)
- Stainless steel construction
- Other thermocouple types available i.e. K, T, E - use proper code and add 10% to price

## Immersion Thermocouples



Standard "A" Length = 3-1/2 in. (available to 8 in. in 1/2 in. increments)

Standard "B" Length = 48 in.

TERMINAL TYPE	
B	BX3 2-1/2" / BX Connector
B	P15 Full Size TC Plug
B	F15 Full Size TC Jack

CATALOG NUMBER	BASE PRICE*		A TO 8" B TO 48"	ADDITIONAL "B" LENGTH
	BX3	P15	F15	
(Single Element) PTC-3040 PTC-3041 PTC-3042	\$15.00	18.50	19.50	\$1.75 per 12 in.
(Dual Element) PTC-3040-D PTC-3041-D PTC-3042-D	\$18.50	32.50	35.50	\$2.50 per 12 in.

\*Discount Schedule "C" Applies

**NOTE:** For stainless steel overbraid construction in lieu of SS armor tubing add S to catalog number (i.e. PTC-3040S-P15-3"-48") and deduct \$1.00 from base price. For extra "A" Dim. add \$0.50/inch.

To Order Give:          - **J** -               **A =**      **B =**

Catalog No.	ANSI Type	Terminal Type
-------------	-----------	---------------

### STANDARD FEATURES

- Sensitive tip 0.187 Dia.
- Type J thermocouple with grounded junction standard
- Single element: 20 ga. stranded thermocouple wire with fiberglass insulation and SS armor tubing
- Dual element: 24 ga. stranded thermocouple wire with fiberglass insulation and SS armor tubing
- SS overbraid also available (add S to catalog no.)
- Fits 3/16" bore compression fitting (order separately)
- For temperatures to 900°F (482°C)
- Rigid "B" length available (specify rigid "B" add \$3.00 to base price)
- Stainless steel construction
- Other thermocouple types available i.e. K, T, E — use proper code and add 10% to price



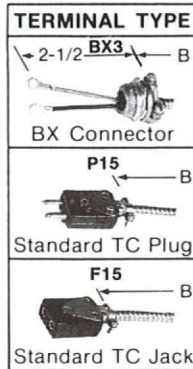
MANUFACTURING CORPORATION 12404 TRISKETT ROAD CLEVELAND, OHIO 44111 FAX: (216) 941-6207

(216) 941-6200

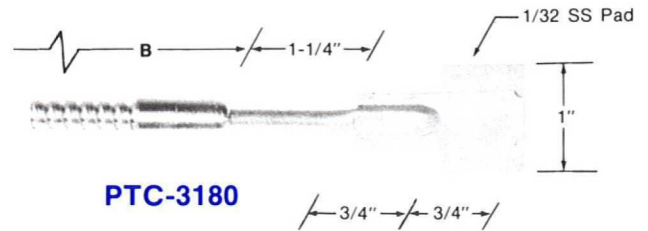
# SENSORS PLASTIC INDUSTRY THERMOCOUPLES

CATALOG NUMBER	TERMINAL TYPE	BASE PRICE \$ "B" TO 48 IN.	ADDITIONAL \$ "B" LENGTH
PTC-3180	BX3	\$22.00	
	P15	26.50	\$1.75 per 12 in.
	F15	27.50	

\*Discount Schedule "C" Applies



## Spade Type Thermocouple



**PTC-3180**

### STANDARD FEATURES

- For use under heater bands or where no thermocouple hole can be drilled
- Type J thermocouple grounded junction standard
- Very sensitive, quick responding
- 20 ga. stranded thermocouple wire fiberglass insulated with SS armor tubing
- Stainless steel construction with 1/32 SS pad
- For temperatures to 900° F (482° C)
- Other thermocouple types available e.g. K, T, E—use proper code and add 10% to price

To Order Give: **PTC-3180** - **J** - **B** =  
 Catalog No.      Ansi Type      Terminal Type      "B" Length

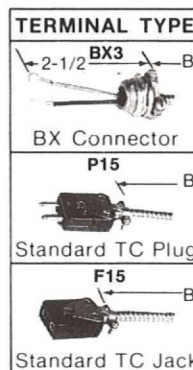
CATALOG NUMBER SINGLE T/C	TERMINAL TYPE	BASE PRICE \$ "B" TO 48 IN.	ADDITIONAL \$ "B" LENGTH
PTC-3191	BX3	\$12.00	\$1.75 per 12 in.
	P15	16.00	
	F15	17.00	
PTC-3192	BX3	\$16.00	\$1.75 per 12 in.
	P15	20.00	
	F15	21.00	
PTC-3193	BX3	\$17.00	\$1.75 per 12 in.
	P15	21.00	
	F15	22.00	

- For SS overbraid construction deduct 10% from base and increment prices and add suffix S (i.e. PTC-3191S-J-P15) to catalog number.

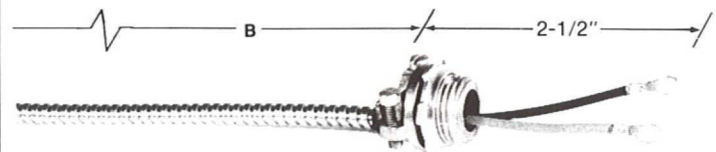
CATALOG NUMBER DUAL TR	TERMINAL TYPE DUAL T/C	BASE PRICE \$ "B" TO 48 IN.	ADDITIONAL \$ "B" LENGTH
PTC-3191D	BX3	\$20.00	\$3.00 per 12 in.
	P12	30.00	
	F12	32.00	
PTC-3192D	BX3	\$30.00	\$3.00 per 12 in.
	P12	40.00	
	F12	42.00	
PTC-3193D	BX3	\$32.00	\$3.00 per 12 in.
	P12	42.00	
	F12	44.00	

\*Discount Schedule "C" Applies

To Order Give: **PTC-** - **J** - **B** =  
 Catalog No.      Ansi Type      Terminal Type      "B" Length



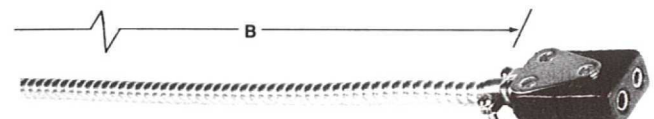
## Extension Cable



**PTC-3191**



**PTC-3192**



**PTC-3193**

### STANDARD FEATURES

- Single element Type J stranded thermocouple extension wire standard
- SS armor tubing construction
- Standard connectors for 500° F ambient
- SS overbraid construction available
- Dual element available
- Other thermocouple types available e.g. K, T, E—use proper code and add 10% to price

DISCOUNT SCHEDULE "C"	
QUANTITY	FACTOR
1-4	Net
5-9	.95
10-49	.90
50-99	.85
100+	.80







***Fast Delivery on:***

**Thermodip T/C's**

**Thermocouple**

**—Assemblies**

**—Elements**

**Protecting Tubes**